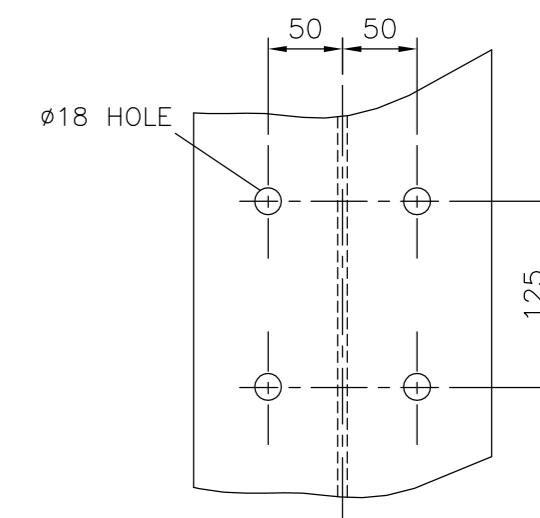


VIEW K-K
SCALE 1:20

(FROM SHT. 1/3)

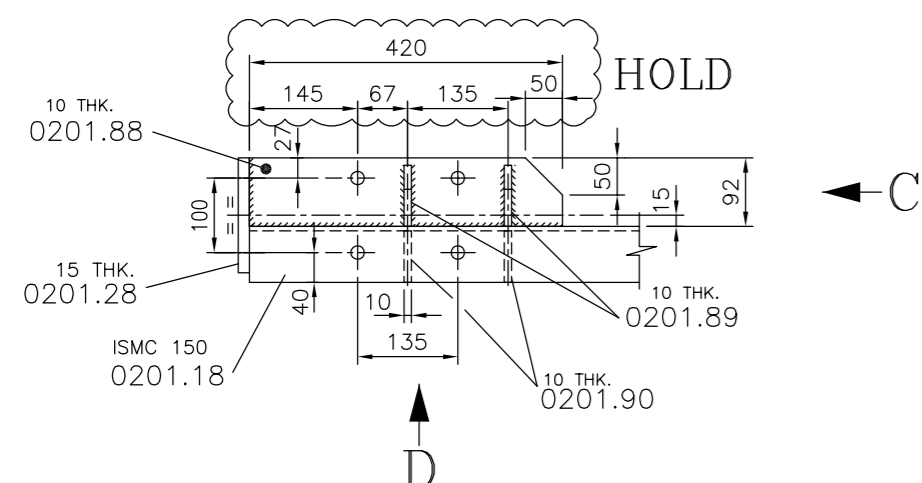


DETAIL-A
SCALE 1:5

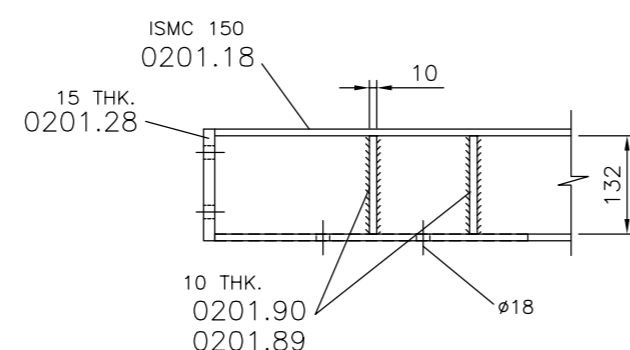
(HOLES SHOWN IN THIS DRAWING TO BE PROVIDED ONLY ON THE BOTTOM FLANGE OF THE UC BEAM & ISMC BEAM)
FOR CLARITY TOP UC BEAM (PART NO. 0201.29) ARE NOT SHOWN)

DRAWING SHOWS ONE CELL RACK ONLY. ONE ELECTROLYSER CONSIST OF 2 CELL RACKS

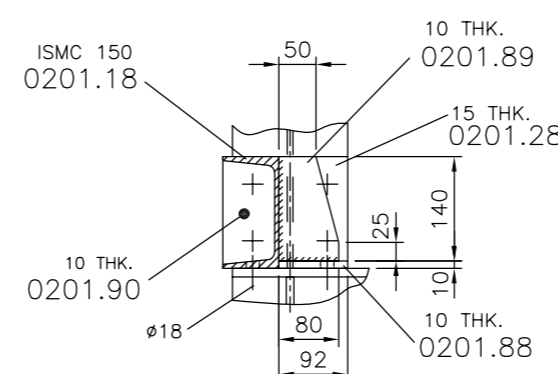
QUANTITIES GIVEN FOR ONE ELECTROLYSER
TOTAL NO. OF ELECTROLYSERS = 6 Nos.
REFERENCE DRG. NO.
0215-EQS-11-TB-0002 SHT. 1/3



DETAIL-B
SCALE 1:10



VIEW-D
SCALE 1:10



VIEW-C
SCALE 1:10

Rev.	Date	Name	Date	Name	Date	Name	Description
00	29.10.18	SRT ADV	05.11.18	GBP	06.11.18	GBP	ISSUED FOR ENQUIRY
		Drawn/Prepared		Checked		Approved	

Contract No. 66-0215-700		Document ID Code 0215-EQS-11-TB-0002		Part / Rev. 001 / 00		
Store Location: Server/Share \\p660215-Ada			BAR-Code			
Store Location: Folder \\660215-Ada\Acad\Issu\Org\Mechanical\Cell Rack						
Store Name 0201.2.dwg						
Pro. Unit 11	Con. Unit -	TON 11A01AN-FNZ01	Group -	Order No. -	Type of Document TB	Sheet 2 / 3
pacl PUNJAB ALKALIES & CHEMICAL LIMITED NAYA NANGAL			thyssenkrupp			
PROJECT: 300 TPD CONVERSION PROJECT			© thyssenkrupp Industrial Solutions (India) Private Limited 2018			
Drawn	29.10.2018	SRT	Description Q201			
Prepared	29.10.2018	ADV	CELL RACK			
Checked	05.11.2018	GBP	BOLT HOLES ON BOTTOM			
Approved	06.11.2018	GBP	FLANGE OF H-BEAM			
Acc. Code	Scale	Cat. Code	Acc. Code	Status		
		5				

ISO A1