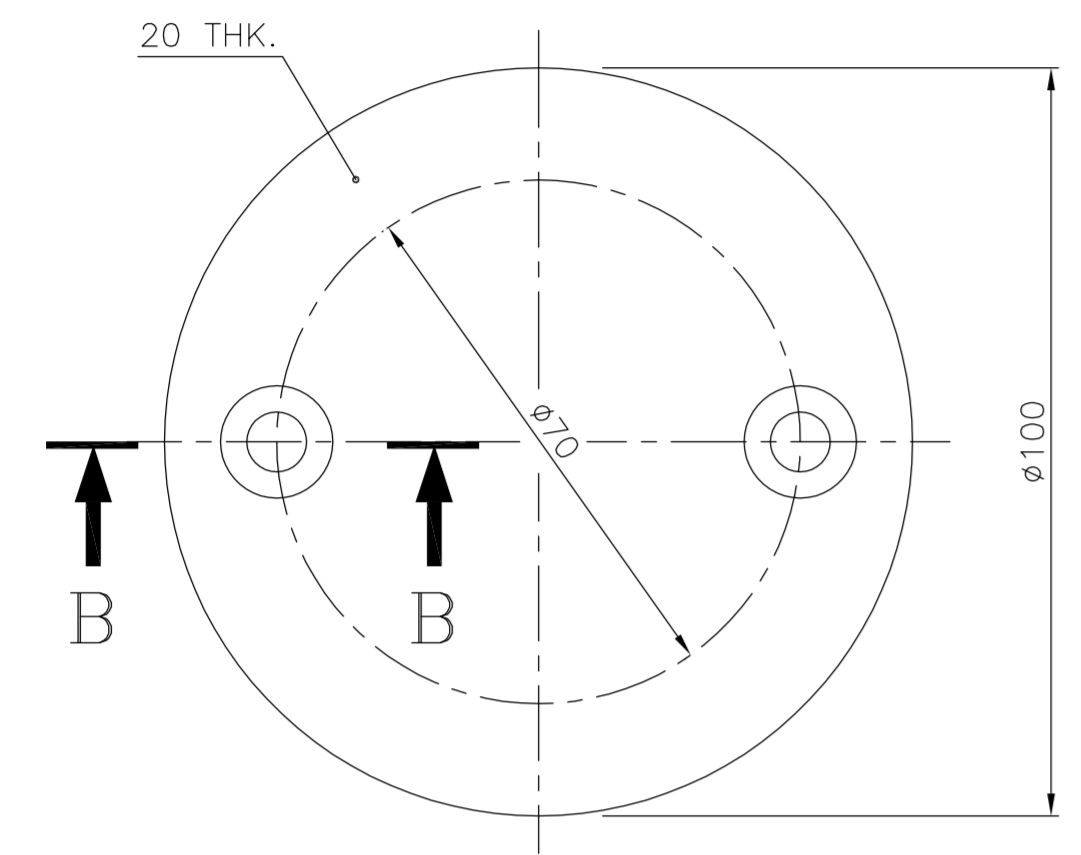


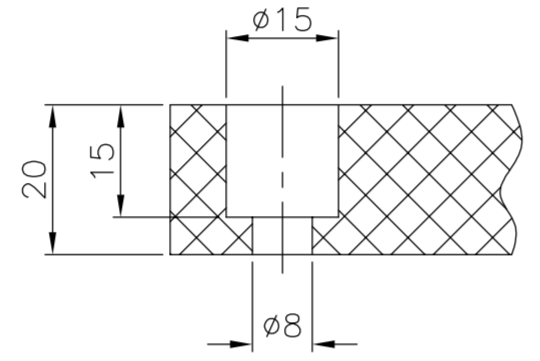
PART NO. 0201.51

SCALE 1:5
WEIGHT : 11.15 Kgs.



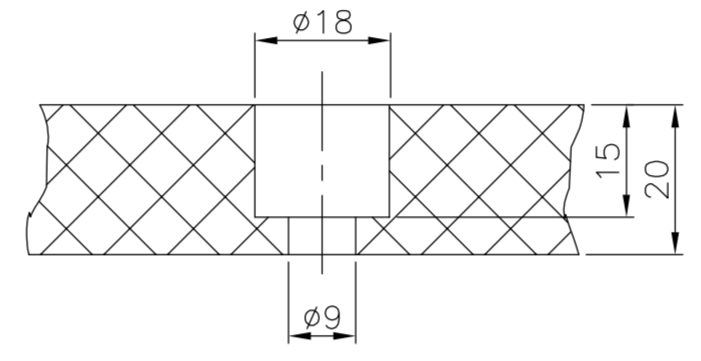
PART NO. 0216

SCALE 1:1
WEIGHT : 0.2 Kg.



SECTION B-B

SCALE 1:1



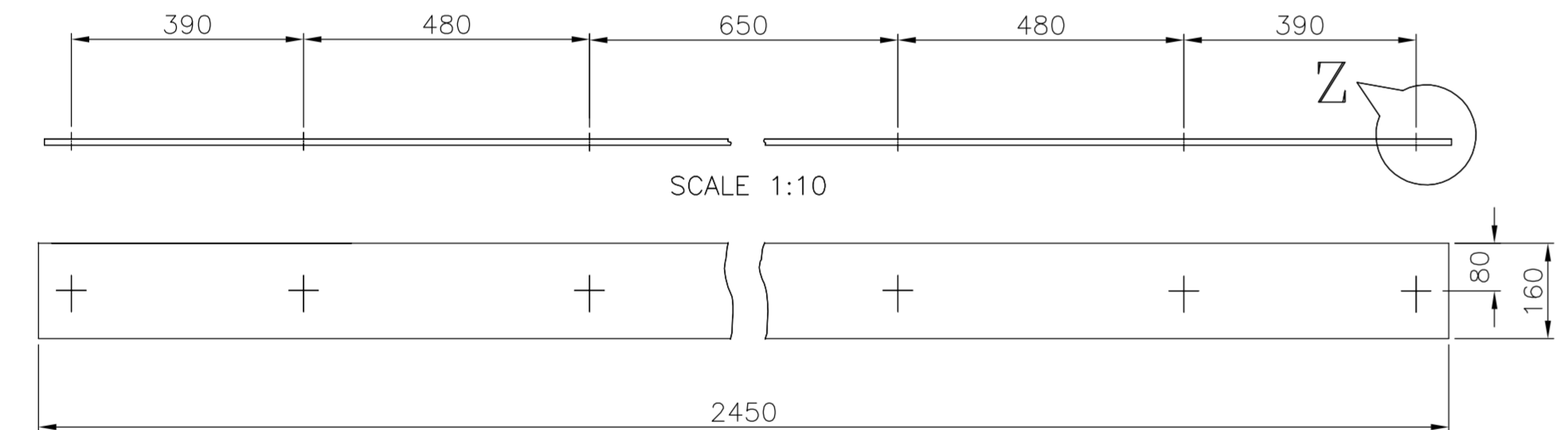
SECTION A-A

SCALE 1:1

MATERIAL : UP GM 201 WHITE DIN EN 60893 (=HM2471 DIN 7735) SEE PAGE 5 OF TECHNICAL SPECIFICATION NO. 0215-EQS-11-EC-0001.

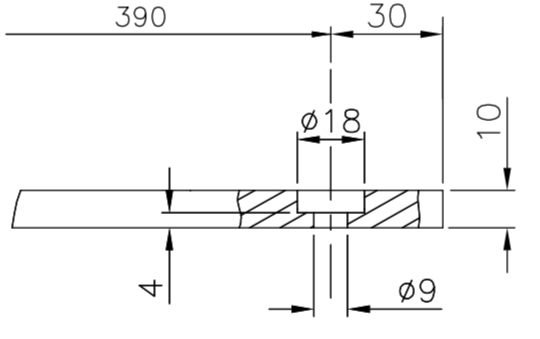
NOTE:-

- 1) TOLERANCE ON DISTANCES BETWEEN ANY TWO HOLES ±0.5 mm.



PART NO. 0210

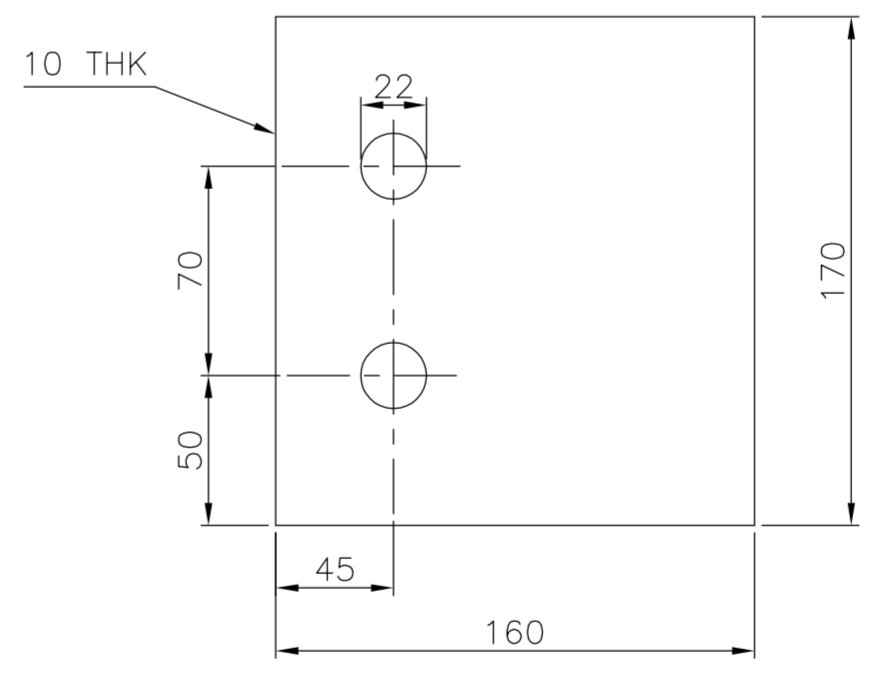
SCALE 1:10
WEIGHT : 5.10 Kgs.



DETAIL Z

SCALE 1:2

MATERIAL : UP GM 201 WHITE DIN EN 60893 (=HM2471 DIN 7735)



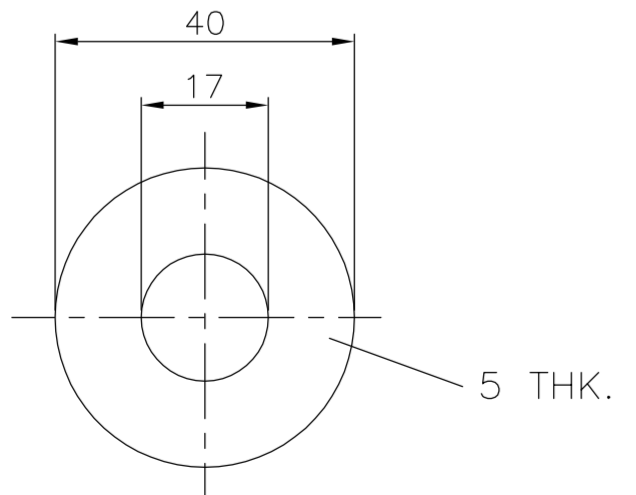
PART NO. 0268

SCALE 1:2
WEIGHT : 0.32 Kg.

MATERIAL : UP GM 201 WHITE DIN EN 60893 (=HM 2471 DIN 7735)

NOTES:-

- 1) DELAMINATIONS OF CUTTING EDGES ARE NOT PERMISSIBLE.
- 2) TOLERANCE ON DISTANCES BETWEEN ANY TWO HOLES ±0.5 mm.



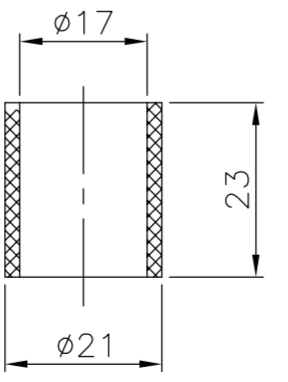
PART NO. 0267

SCALE 1:1
WEIGHT : 0.009 Kg.

MATERIAL : UP GM 201 WHITE DIN EN 60893 (=HM 2471 DIN 7735)

NOTES:-

- 1) MADE OUT OF SHEET.
- 2) DELAMINATIONS OF CUTTING EDGES ARE NOT PERMISSIBLE.



PART NO. 0287A

SCALE 1:1
WEIGHT : 0.005 Kg.

MATERIAL : EP GC 21 EN 61212 (HGW 2375 DIN 7735)

NOTE:-

- 1) DELAMINATIONS OF CUTTING EDGES ARE NOT PERMISSIBLE.

NOTES:-

- 1. FOR GENERAL NOTES & OTHER NOTES REFER DRG. NO. 0215-EQS-11-TB-0001.
- 2. ALL MACHINED SURFACES & CUTTING EDGES OF INSULATING PARTS ARE TO BE SEALED WITH INSULATING RESIN.

REFERENCE DRG. NO.
0215-EQS-11-TB-0001&0002

CONFIDENTIAL

The information in this document is strictly private, confidential and should not be copied, distributed or reproduced in whole or in part, nor passed to any third party without the prior approval of tkIS-India.

tkIS - India / Owner/Client		tkIS - India / Owner/Client	
<input type="checkbox"/> 1 For Approval	<input type="checkbox"/> 1 Approved	<input type="checkbox"/> 3 For Information	<input type="checkbox"/> 3 Not Approved/Resubmit
<input type="checkbox"/> 2 For Review / Comments	<input type="checkbox"/> 2 Approved for Manufacturing/ Fabrication With Comments as Marked	<input type="checkbox"/> 4 For Engineering	<input type="checkbox"/> 4 Retained for Information/Records
<input type="checkbox"/> 3 For Information	<input type="checkbox"/> 4 Retained for Information/Records	<input type="checkbox"/> 5 For Enquiry	<input type="checkbox"/> 5 Reviewed
<input type="checkbox"/> 4 For Engineering	<input type="checkbox"/> 5 Reviewed	<input type="checkbox"/> 6 For Order Placement	<input type="checkbox"/> 6 Reviewed as Noted/Resubmit
<input type="checkbox"/> 5 For Enquiry	<input type="checkbox"/> 6 Reviewed as Noted/Resubmit	<input type="checkbox"/> 7 Final & Approved	
<input type="checkbox"/> 6 For Order Placement		<input type="checkbox"/> 8 Released for Construction	
<input type="checkbox"/> 7 Final & Approved			
<input type="checkbox"/> 8 Released for Construction			

Contract No. 66-0215-700	Document ID 0215-EQS-11-TB-0004	Part 000	Rev. 00
Store Location: Server/Share \\p660215-Ada		BAR-Code	
Store Location: Folder \\660215-Ada\Acad\Local\Org\Mechanical\Cell Rack			
Store Name 0201.51/0210/0216/0267/0268/0287A.dwg			
Pro. Unit 11	Con. Unit -	TON 11A01AN-FNZ01	Group -
Order No. -	Type of Document TB	Sheet 1 / 1	

pacl PUNJAB ALKALIES & CHEMICAL LIMITED NAYA NANGAL

thyssenkrupp

PROJECT: 300 TPD CONVERSION PROJECT	Description 0201.51/0210/0216/0267/0268/0287A PARTS OF INSULATION
Drawn Date: 29.10.2018 SRT	
Prepared Date: 29.10.2018 ADV f	
Checked Date: 05.11.2018 GBP	
Approved Date: 06.11.2018 GBP	

Rev.	Date	Name	Date	Name	Date	Name	Description	Acc. Code
00	29.10.18	SRT	05.11.18	GBP	06.11.18	GBP	ISSUED FOR ENQUIRY	
		Drawn/Prepared		Checked		Approved		

ISO A1 50 mm