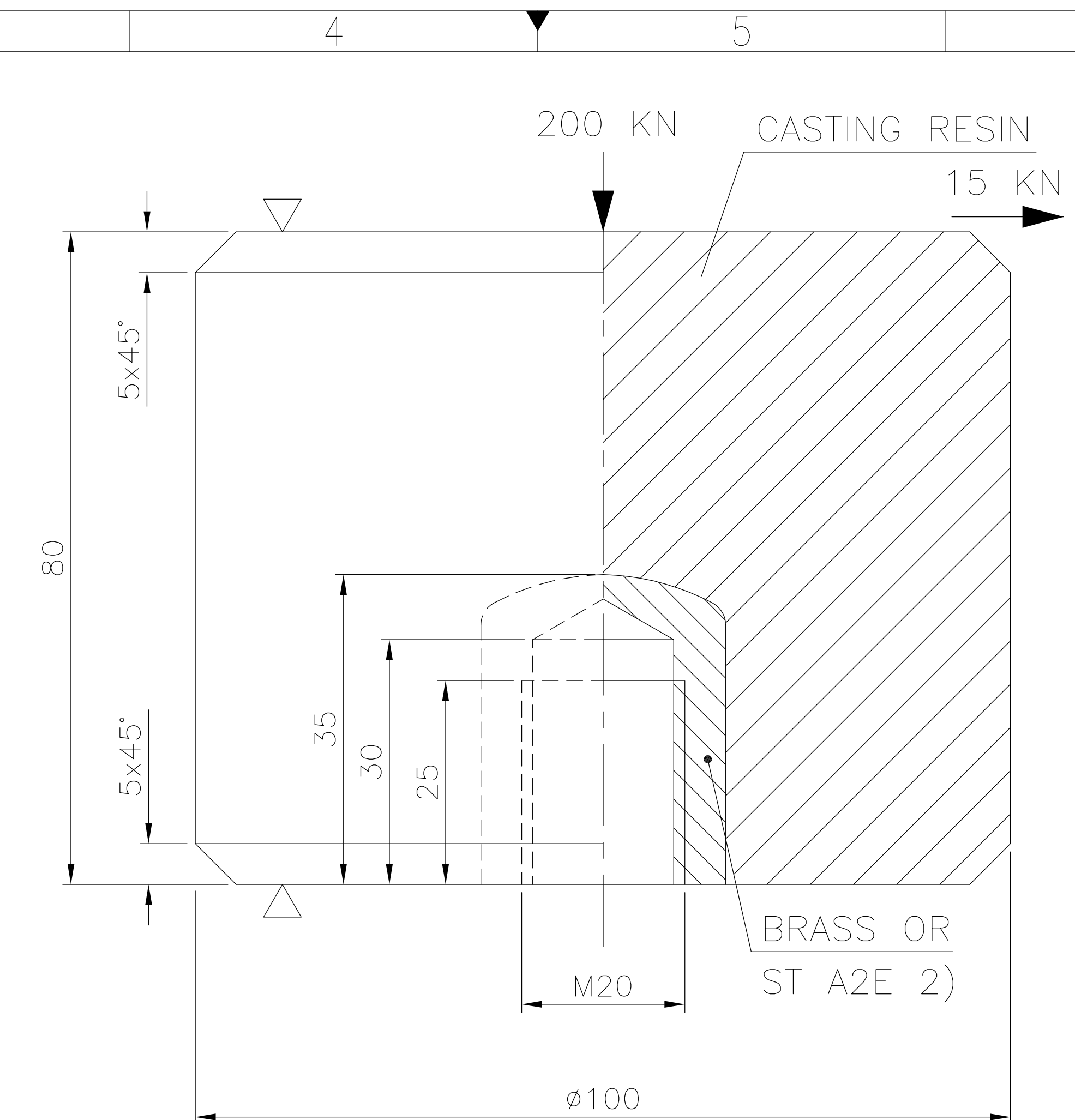


PART NO. 0207
INSULATOR

WEIGHT : ~0.97 Kgs.
 MATERIAL : CASTING RESIN/BRASS OR ST A2E 2)
 STUD : SA 193 Gr. B7 GALVANIZED (A2E) 2)
 RATED VOLTAGE TO : 6 KV
 SAMPLE SHALL BE TESTED TO DESTRUCTION FOR BENDING.
 MINIMUM FACTOR OF SAFETY = 2 FOR BENDING
 OPERATING TEMPERATURE = 40°C
 DESIGN TEMPERATURE = 50°C



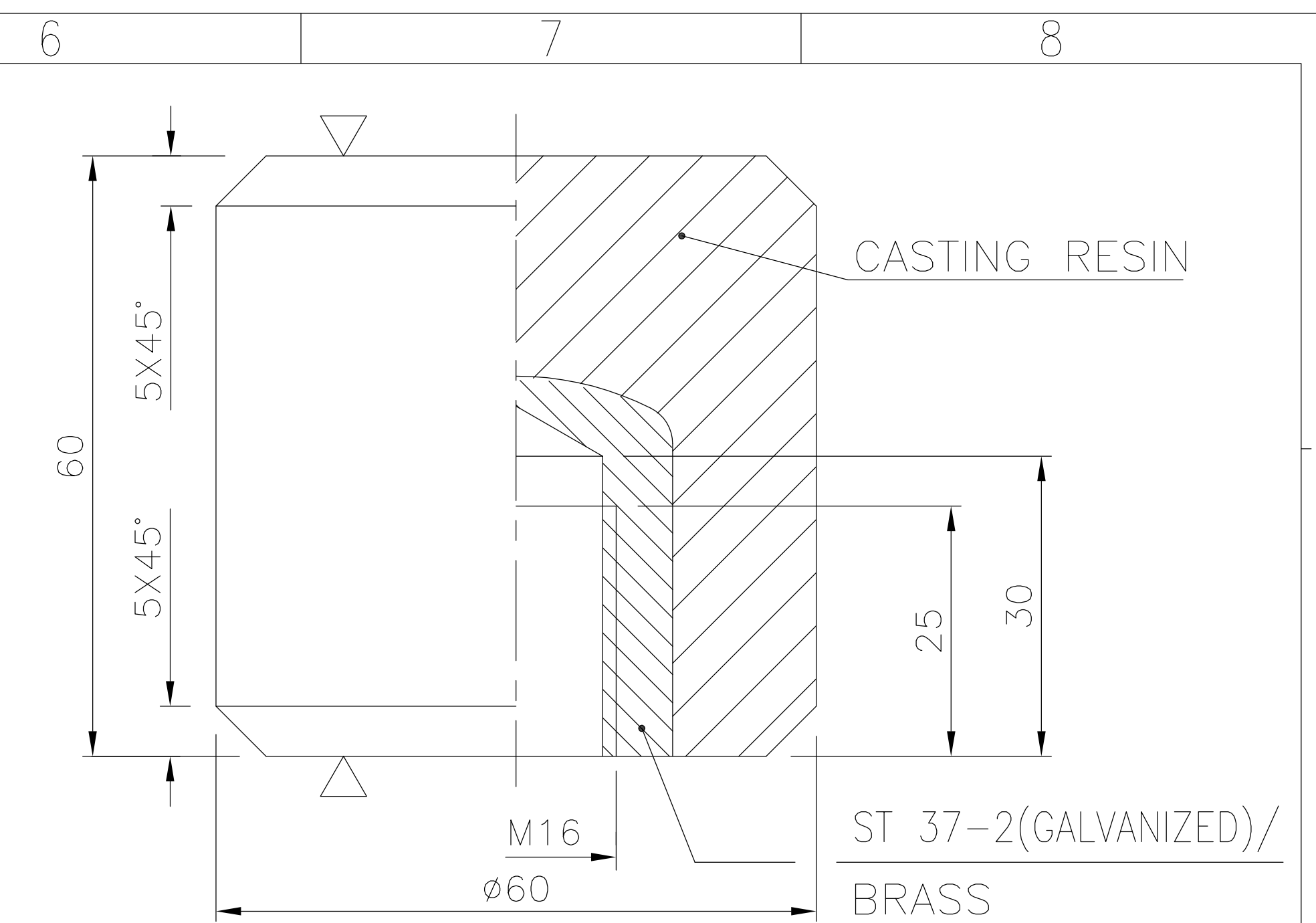
PART NO. 0205
RACK INSULATOR

WEIGHT : ~1.5 Kgs.
 MATERIAL : CASTING RESIN/BRASS OR ST A2E 2)
 BENDING LOAD : 15 KN
 RATED VOLTAGE TO : 6 KV
 SAMPLE SHALL BE TESTED AFTER MOUNTING ON PART NO.0206 TO DESTRUCTION FOR COMPRESSION AND BENDING. MINIMUM FACTOR OF SAFETY = 4 (FOR COMPRESSION) = 2 (FOR BENDING)

REFERENCE DRG. NO.
0215-EQS-11-TB-0001.

CONFIDENTIAL

The information in this document is strictly private, confidential and should not be copied, distributed or reproduced in whole or in part, nor passed to any third party without the prior approval of tkIS-India.



PART NO. 0230
INSULATOR FOR EARTHQUAKE SAFETY DEVICE

WEIGHT :
 GEWICHT : ~0.3 kgs.
 MATERIAL : CASTING RESIN/BRASS ST 37-2 A2E 2)
 RATED VOLTAGE TO 3 KV
 NENNISOLATIONSSPANNUNG BIS 3 KV

NOTES:-

- ALL DIMENSIONS ARE IN mm. UNLESS OTHERWISE SPECIFIED.
- A2E MEANS :
 A - ZINC ELECTROPLATED COATING,
 2 - MIN. THICKNESS OF COATING IS 5 MICRONS/COAT.
 E - SEMI BRIGHT FINISH WITH NO COLOUR.
 A2E SHALL BE ACCORDING TO EN 4042

tkIS India / Owner/Client

<input type="checkbox"/>	1 For Approval
<input type="checkbox"/>	2 For Review / Comments
<input type="checkbox"/>	3 For Information
<input type="checkbox"/>	4 For Engineering
<input checked="" type="checkbox"/>	5 For Enquiry
<input type="checkbox"/>	6 For Order Placement
<input type="checkbox"/>	7 Final & Approved
<input type="checkbox"/>	8 Released for Construction

tkIS India / Owner/Client

<input type="checkbox"/>	1 Approved
<input type="checkbox"/>	2 Approved for Manufacturing/ Fabrication With Comments as Marked
<input type="checkbox"/>	3 Not Approved/Resubmit
<input type="checkbox"/>	4 Retained for Information/Records
<input type="checkbox"/>	5 Reviewed
<input type="checkbox"/>	6 Reviewed as Noted/Resubmit

Date : _ / _ / _ Name : _____

Rev.	Date	Name	Date	Name	Date	Name	ISSUED FOR ENQUIRY	Contract No.	Document ID	Part	Rev.	 © thyssenkrupp Industrial Solutions (India) Private Limited 2018
00	30.10.18	SRT	ADV	05.11.18	GBP	06.11.18	GBP	66-0215-700	0215-EQS-11-TB-0005	000	00	
Pro. Unit	TON	11A01AN-FNZ01	Group	-	Cat. Code	5	Acc. Code	-	Status	-	-	
Con. Unit	Type of Document	-	Order No.	-	Scale	NTS	Sheet	1 / 1	Drawn	30.10.2018	SRT	
Store Location: Server/Share		Store Location: Folder		Store Name		Date		Name		Description		 PUNJAB ALKALIES & CHEMICAL LIMITED NAYA NANGAL 0205/0207/0230 RACK INSULATORS INSULATOR
\\p660215-ADA		\\660215-Ada\Acad\Lascl\Drq\Mechanical\Cell Rack		0205/0207/0230.dwg		05.11.2018		GBP		PROJECT: 300 TPD CONVERSION PROJECT		
						06.11.2018		GBP		All rights reserved		

UH_BO_ISO_A3_L_E_tkISIndia.dwg / AG03_UH_BO_ISO_A3_L.dwg / 19.12.2016

ISO A3