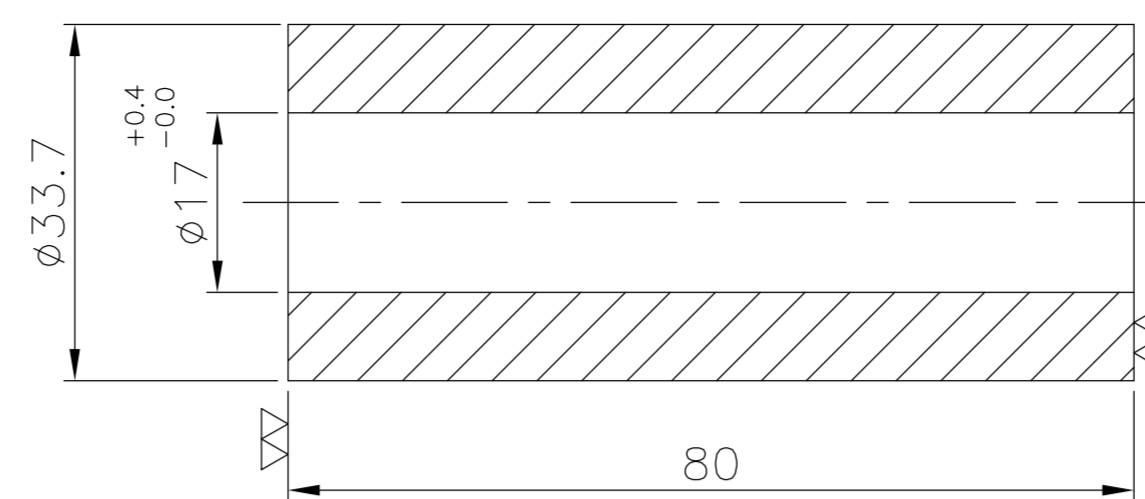


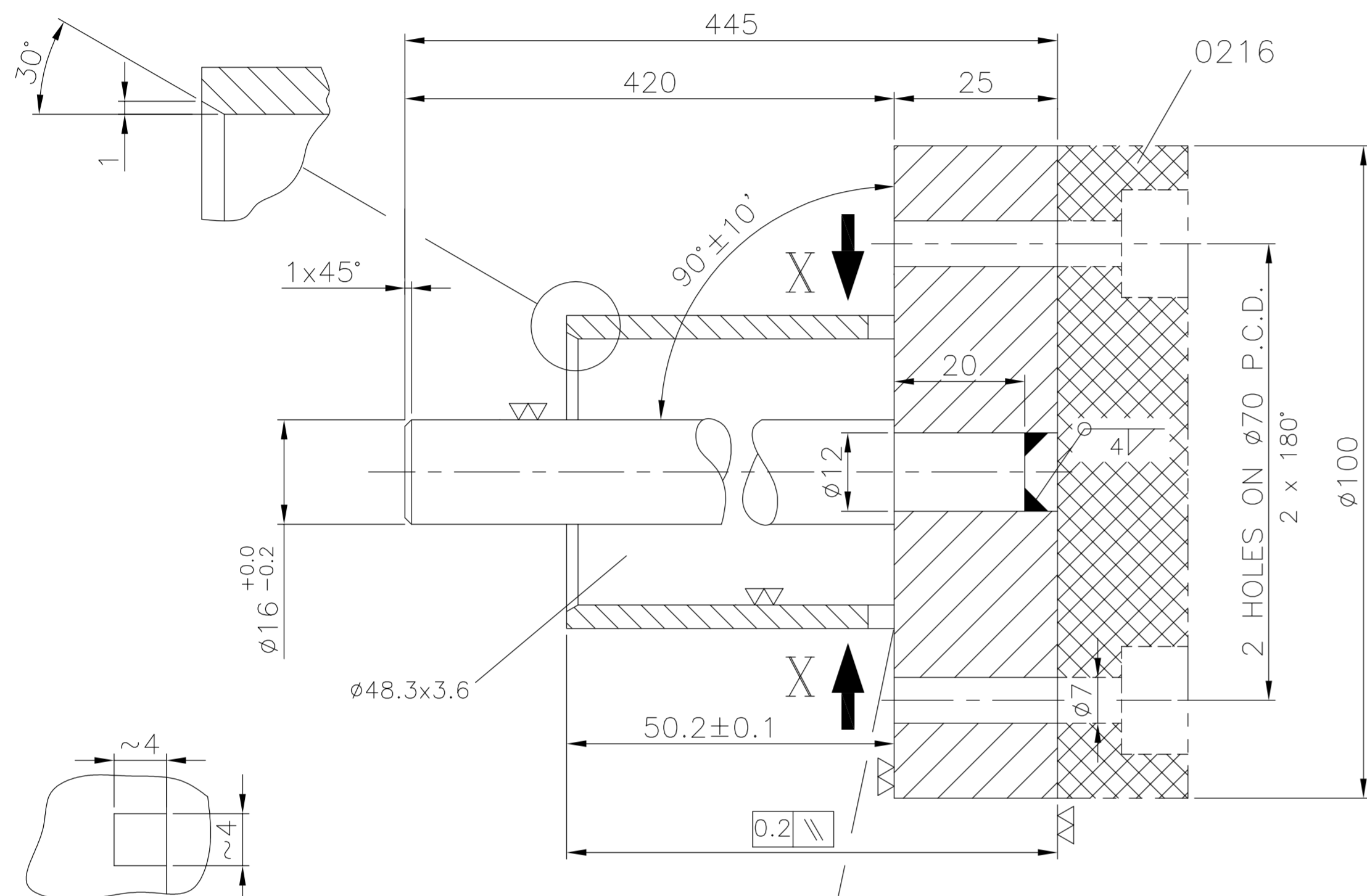
0212B-DISTANCE PIECE

WEIGHT : 0.8 Kgs.
MATERIAL : IS 2062 Gr.E 250 A (GALVANIZED A2E) 3)



0212A-DISTANCE PIECE

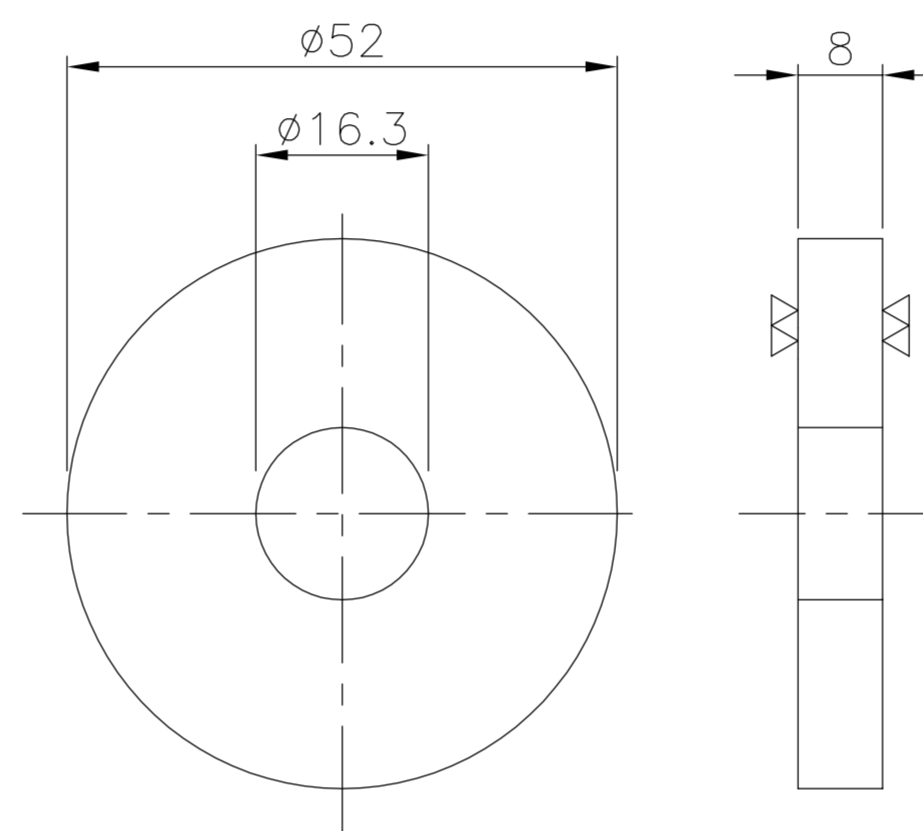
WEIGHT : 0.4 Kgs.
MATERIAL : IS 2062 Gr.E 250 A (GALVANIZED A2E) 3)



0215 - PRESSURE PLATE

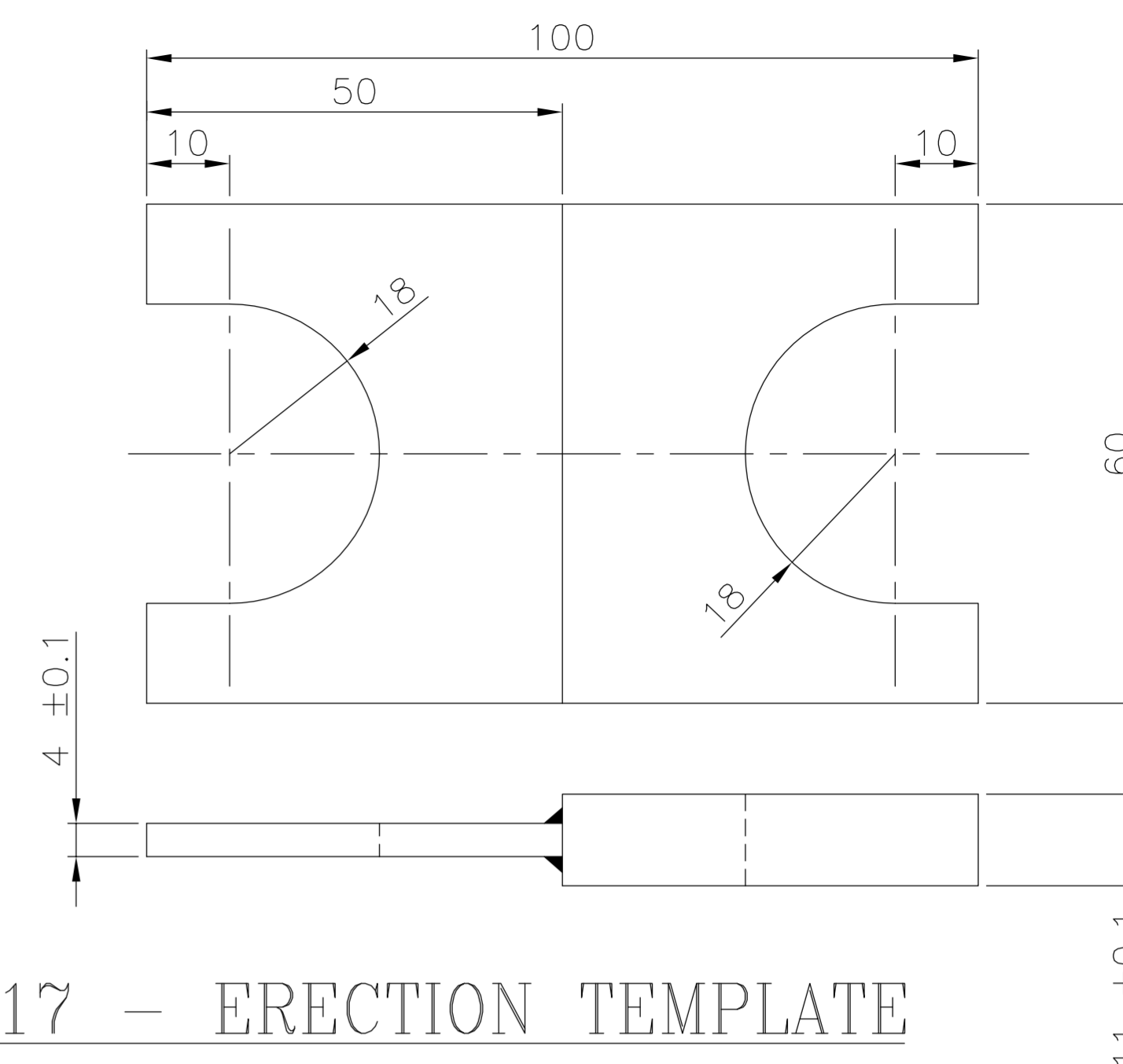
WEIGHT : 2.3 Kgs.
MATERIAL : IS 2062 Gr.E 250 A (GALVANIZED A2E) 3)

VIEW X



0213 - WASHER

WEIGHT : 0.12 Kgs.
MATERIAL : IS 2062 Gr.E 250 A (GALVANIZED A2E) 3)



0217 - ERECTION TEMPLATE

WEIGHT : 0.26 Kgs.
MATERIAL : AISI 304

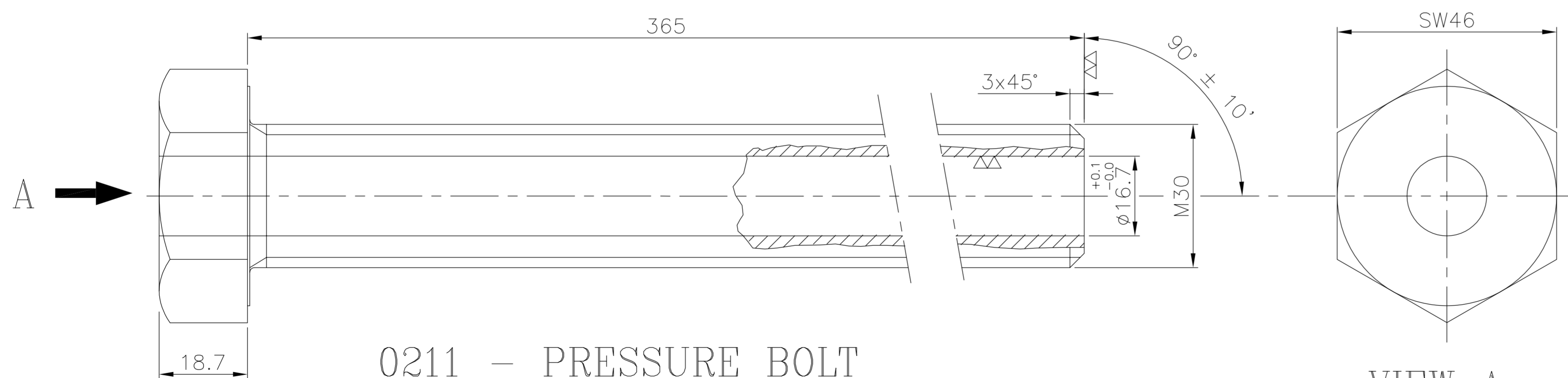
NOTES:-

1. ALL DIMENSIONS ARE IN mm. UNLESS OTHERWISE SPECIFIED.
2. GENERAL TOLERANCES ACC. TO DIN ISO 2768 m.
3. A2E MEANS :
A - ZINC ELECTROPLATED COATING,
2 - MIN. THICKNESS OF COATING IS 5 MICRONS/COAT.
E - SEMI BRIGHT FINISH WITH NO COLOUR.
A2E SHALL BE ACCORDING TO EN 4042.

CONFIDENTIAL

The information in this document is strictly private, confidential and should not be copied, distributed or reproduced in whole or in part, nor passed to any third party without the prior approval of tkIS-India.

tkIS India / Owner/Client		tkIS India / Owner/Client	
Category Codes (Submission purpose)	<input type="checkbox"/> 1 For Approval	Acceptance Codes (Approval Codes)	<input type="checkbox"/> 1 Approved
	<input type="checkbox"/> 2 For Review / Comments		<input type="checkbox"/> 2 Approved for Manufacturing/ Fabrication With Comments as Marked
	<input type="checkbox"/> 3 For Information		<input type="checkbox"/> 3 Not Approved/Resubmit
	<input type="checkbox"/> 4 For Engineering		<input type="checkbox"/> 4 Retained for Information/Records
	<input checked="" type="checkbox"/> 5 For Enquiry		<input type="checkbox"/> 5 Reviewed
	<input type="checkbox"/> 6 For Order Placement		<input type="checkbox"/> 6 Reviewed as Noted/Resubmit
	<input type="checkbox"/> 7 Final & Approved		
	<input type="checkbox"/> 8 Released for Construction		
Date : _ / _ / _		Name : _____	



0211 - PRESSURE BOLT

PITCH = 2mm
WEIGHT : ~1.65 Kgs.
MATERIAL : CK35N/SA 193 Gr.B7 (GALVANIZED A2E) 3)

VIEW A

REFERENCE DRG. NO.
0215-EQS-11-TB-0001.

Rev.	Date	Name	Drawn/Prepared	Date	Name	Checked	Date	Name	Approved	Description
00	30.10.18	SRT	ADV	05.11.18	GBP	06.11.18	GBP	ISSUED FOR ENQUIRY		

Contract No. 66-0215-700		Document ID 0215-EQS-11-TB-0006		Part 000	Rev. 00
Store Location: Server/Share \\p660215-Ada			Store Location: Folder \\660215-Ada\Acad\Lascl\Drq\Mechanical\Cell Rack		
Store Name 0211-0212-0213-0215-0217.dwg					
Pro. Unit 11	Con. Unit -	TON 11A01AN-FNZ01	Group -	Order No. -	Type of Document TB
Sheet 1 / 1					

PUNJAB ALKALIES & CHEMICAL LIMITED NAYA NANGAL		thyssenkrupp	
PROJECT: 300 TPD CONVERSION PROJECT		© thyssenkrupp Industrial Solutions (India) Private Limited 2018	
Drawn	30.10.2018	SRT	Name
Prepared	30.10.2018	ADV	f
Checked	05.11.2018	GBP	
Approved	06.11.2018	GBP	
Scale	-	Cat. Code	5
Acc. Code	-	Acc. Code	-
Status	-	Status	-

0211-0212A/B-0213-0215-0217
PARTS FOR PRESSURE DEVICES