

SUPPORTS FOR ANOLYTE HEADER

SUPPORT FOR CATHOLYTE HEADER

PART NO. 0260

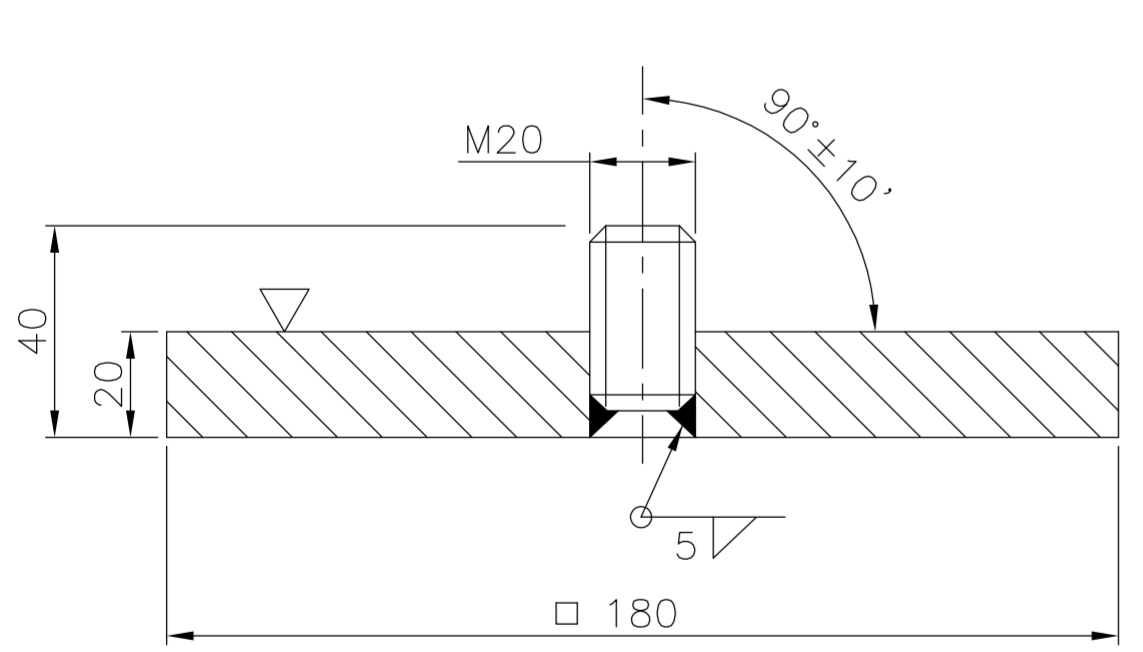
MATERIAL : ST 37-2 / IS 2062 GR.E 250 A FOR SUPPORT SOFT RUBBER FOR PAD
 WEIGHT : 10.6 Kgs. (EACH)
 PAINTING : REFER DRG. NO. 0215-EQS-11-TB-0001.

PART NO. 0260A

MATERIAL : ST 37-2 / IS 2062 GR.E 250 A FOR SUPPORT SOFT RUBBER FOR PAD
 WEIGHT : 10.3 Kgs. (EACH)
 PAINTING : REFER DRG. NO. 0215-EQS-11-TB-0001.

PART NO. 0261

WEIGHT : 10.2 Kgs. (EACH)
 MATERIAL : ST 37-2 / IS 2062 GR.E 250 A FOR SUPPORT SOFT RUBBER FOR PAD
 PAINTING : REFER DRG. NO. 0215-EQS-11-TB-0001.

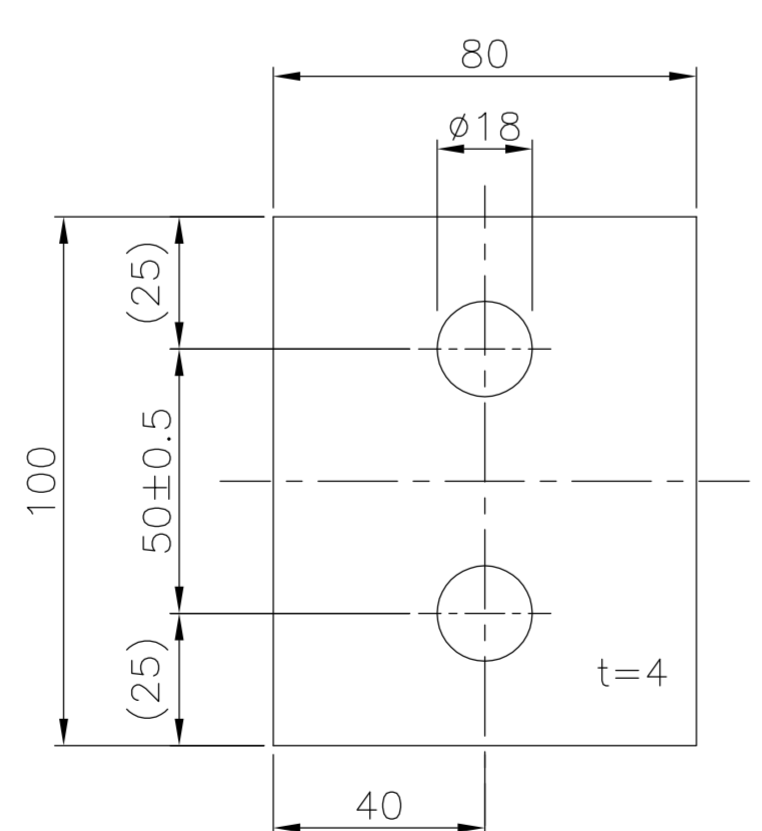


PART NO. 0206

GROUND PLATE

SCALE 1:2

PLATE MATERIAL : ST 37-2 / IS 2062 GR.E 250A (GALVANIZED TO A2E) 2
 STUD MATERIAL : IS 1367 CL.6.6 (GALVANIZED TO A2E) 2
 WEIGHT : 5.1 Kgs.

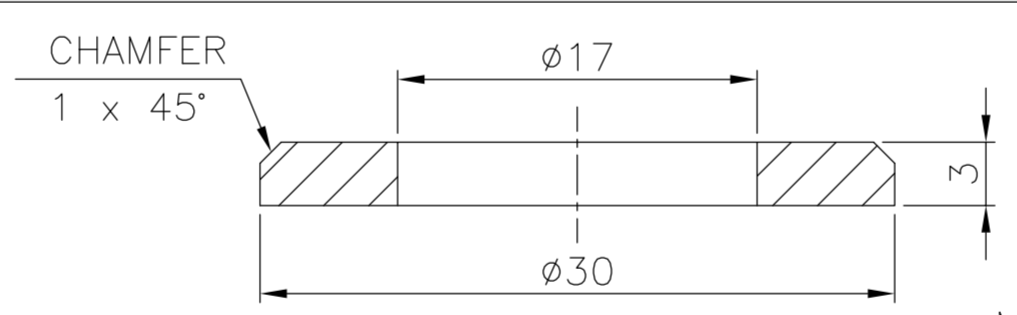


PART NO. 0208

PRESSURE PLATE

SCALE 1:2

MATERIAL : SS 316
 WEIGHT : 0.25 Kgs.



0233 - WASHER

SCALE 1:5

MATERIAL : ST / IS 2062 GR.E 250 A (GALVANIZED TO A2E) 2
 STANDARD : DIN 125

NOTES:-

1. ALL DIMENSIONS ARE IN mm. UNLESS OTHERWISE SPECIFIED.
2. A2E MEANS : A - ZINC ELECTROPLATED COATING, 2 - MIN. THICKNESS OF COATING IS 5 MICRONS/COAT. E - SEMI BRIGHT FINISH WITH NO COLOUR. A2E SHALL BE ACCORDING TO EN 4042.

CONFIDENTIAL

The information in this document is strictly private, confidential and should not be copied, distributed or reproduced in whole or in part, nor passed to any third party without the prior approval of tkIS-India.

tkIS India / Owner/Client		tkIS India / Owner/Client	
Category Codes (Submission purpose)	<input type="checkbox"/> 1 For Approval	Acceptance Codes (Approval Codes)	<input type="checkbox"/> 1 Approved
	<input type="checkbox"/> 2 For Review / Comments		<input type="checkbox"/> 2 Approved for Manufacturing/ Fabrication With Comments as Marked
	<input type="checkbox"/> 3 For Information		<input type="checkbox"/> 3 Not Approved/Resubmit
	<input type="checkbox"/> 4 For Engineering		<input type="checkbox"/> 4 Retained for Information/Records
	<input checked="" type="checkbox"/> 5 For Enquiry		<input type="checkbox"/> 5 Reviewed
	<input type="checkbox"/> 6 For Order Placement		<input type="checkbox"/> 6 Reviewed as Noted/Resubmit
	<input type="checkbox"/> 7 Final & Approved		
	<input type="checkbox"/> 8 Released for Construction		
Date : ___/___/___ Name : _____			

Contract No.	Document ID	Part	Rev.
66-0215-700	0215-EQS-11-TB-0007	000	00

Store Location: Server/Share	BAR-Code					
\\p660215-Ada						
Store Location: Folder						
\\660215-Ada\Acad\Lascl\Drq\Mechanical\Cell Rack						
Store Name						
0206-0208-0233-0260-0261.dwg						
Pro. Unit	Con. Unit	TON	Group	Order No.	Type of Document	Sheet
11	-	11A01AN-FNZ01	-	-	TB	1 / 1

pacl PUNJAB ALKALIES & CHEMICAL LIMITED
 NAYA NANGAL



PROJECT: 300 TPD CONVERSION PROJECT			© thyssenkrupp Industrial Solutions (India) Private Limited 2018		
Drawn	Date	Name	Description		
SRT	29.10.2018		0206/0208/0233		
Prepared	Date	Name	0260/0260A/0261		
ADV f	29.10.2018		DETAILS OF SUPPORT FOR HEADERS & OTHER PARTS		
Checked	Date	Name			
GBP	05.11.2018				
Approved	Date	Name			
GBP	06.11.2018				
Scale	Cat. Code	Acc. Code	Status		
-	5	-	-		

REFERENCE DRG. NO. : 0215-EQS-11-TB-0001.

00	29.10.18	SRT	ADV	05.11.18	GBP	06.11.18	GBP	ISSUED FOR ENQUIRY
Rev.	Date	Name	Name	Date	Name	Date	Name	Description
		Drawn/Prepared	Checked		Approved			