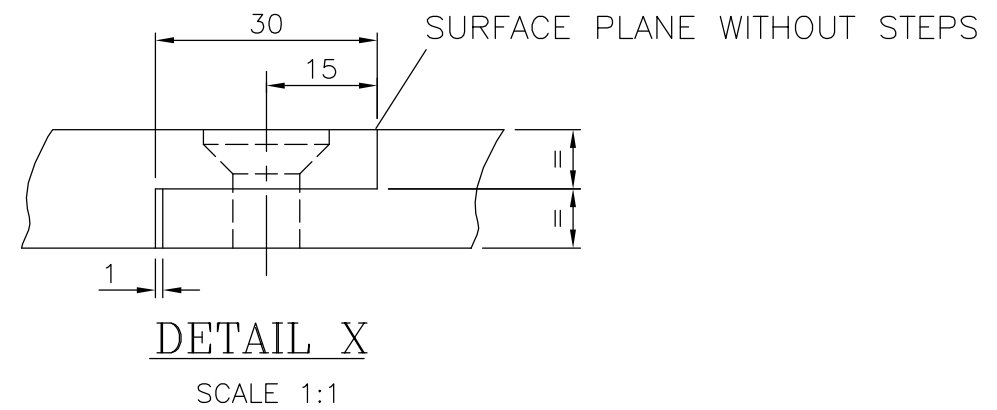
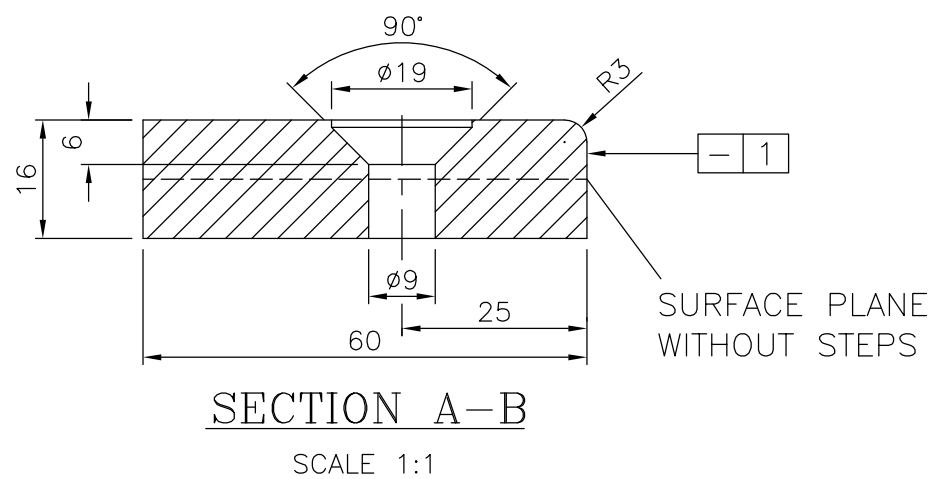


0250
SCALE 1:20
WEIGHT : 8.6 Kgs.



NOTES:—

1. ALL DIMENSIONS ARE IN mm. UNLESS OTHERWISE SPECIFIED.
2. MATERIAL : UP GM 201 White DIN EN 60893 / HM 2471, DIN 7735 (PLATE 1250 x 2000)
3. EDGES SHALL BE CHAMPERED.
4. MARK ALL SINGLE PARTS THAT BELONGS TOGETHER.

REFERENCE DRG. NO. 0215-EQS-11-TB-0001.

CONFIDENTIAL

The information in this document is strictly private, confidential and should not be copied, distributed or reproduced in whole or in part, nor passed to any third party without the prior approval of tkIS-India.

Category Codes (Submission purpose)	tkIS India / Owner/Client	tkIS India / Owner/Client
	<input type="checkbox"/> 1 For Approval <input type="checkbox"/> 2 For Review / Comments <input type="checkbox"/> 3 For Information <input type="checkbox"/> 4 For Engineering <input checked="" type="checkbox"/> 5 For Enquiry <input type="checkbox"/> 6 For Order Placement <input type="checkbox"/> 7 Final & Approved <input type="checkbox"/> 8 Released for Construction	<input type="checkbox"/> 1 Approved <input type="checkbox"/> 2 Approved for Manufacturing/ Fabrication With Comments as Marked <input type="checkbox"/> 3 Not Approved/Resubmit <input type="checkbox"/> 4 Retained for Information/Records <input type="checkbox"/> 5 Reviewed <input type="checkbox"/> 6 Reviewed as Noted/Resubmit
Date : ___ / ___ / ___		Name : _____

BAR-Code	00	30.10.18	SRT	ADV	05.11.18	GBP	06.11.18	GBP	ISSUED FOR ENQUIRY	-	Contract No.	66-0215-700	Code	0215-EQS-11-TB-0015	Part	000	Rev.	00	thyssenkrupp <small>© thyssenkrupp Industrial Solutions (India) Private Limited. 2018</small>
Rev.	Date	Name	Drawn/Prepared	Date	Name	Checked	Date	Name	Approved	Description	Acc. Code	Document ID	Part	Rev.					
Pro. Unit	TON	11	11A01AN-FNZ01	Group	-	Cat. Code	5	Acc. Code	-	Status	-	Date	Name					PUNJAB ALKALIES & CHEMICAL LIMITED NAYA NANGAL Description 0250 GUIDE RAIL	
Con. Unit	Type of Document	-	-	Order No.	-	Scale	NTS	Sheet	1 / 1	Drawn	30.10.2018	SRT							
										Prepared	30.10.2018	ADV f							
										Checked	05.11.2018	GBP							
										Approved	06.11.2018	GBP							
Store Location: Server/Share		Store Location: Folder		Store Name															
\\p660215-ADA		\\660215-Ada\Acad\Lascl\Drq\Mechanical\Cell Rack		0250.dwg															

UH_BO_ISO_A3_L_E_tklIndia.dwg / AG03_UH_BO_ISO_A3_L.dwg / 19.12.2016

50 mm

ISO A3