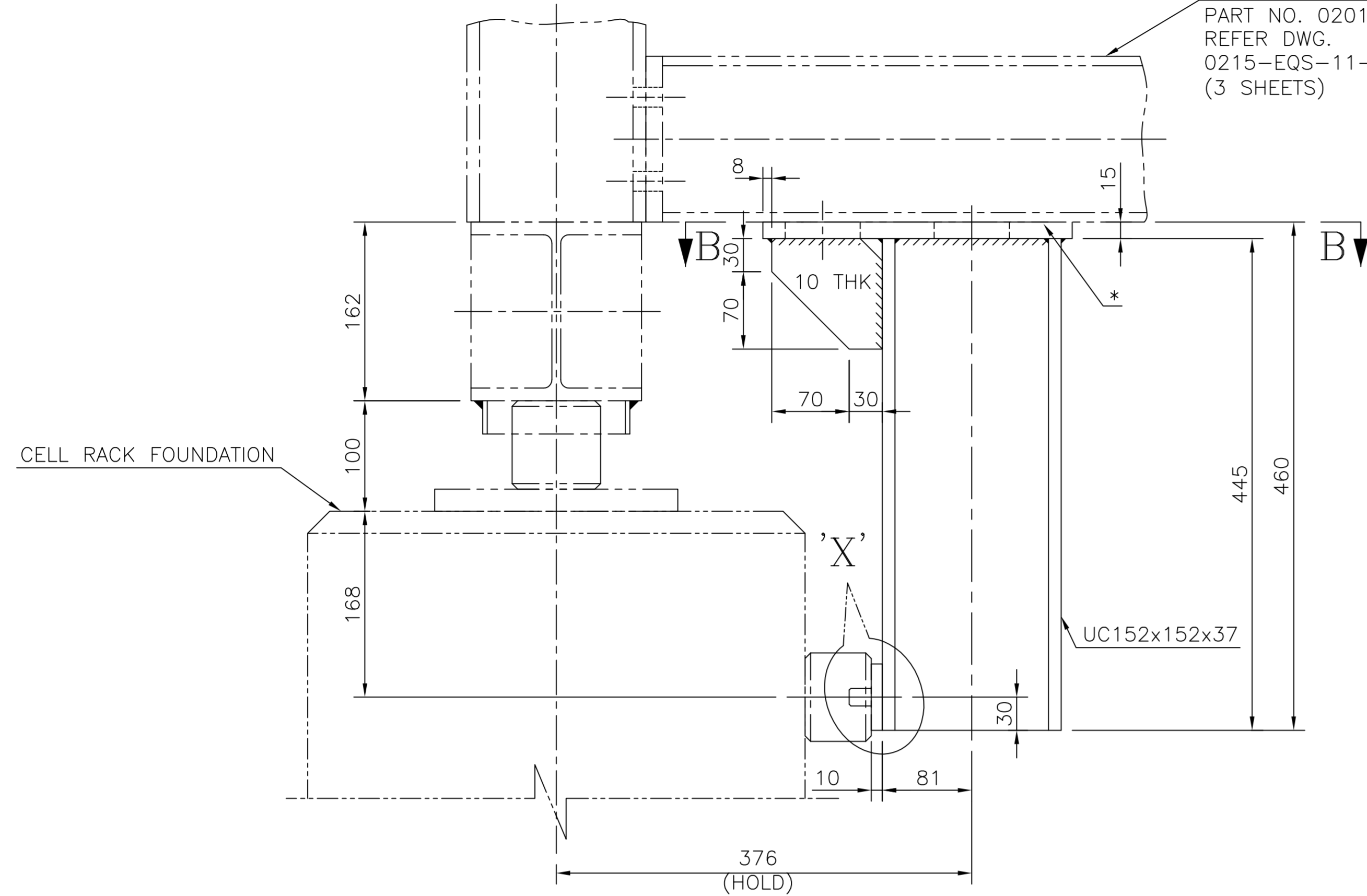
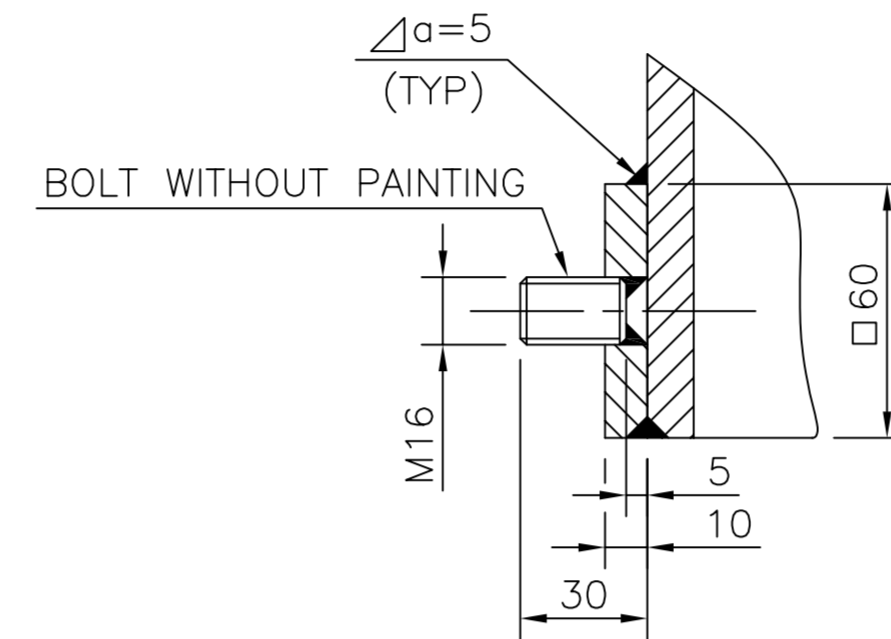


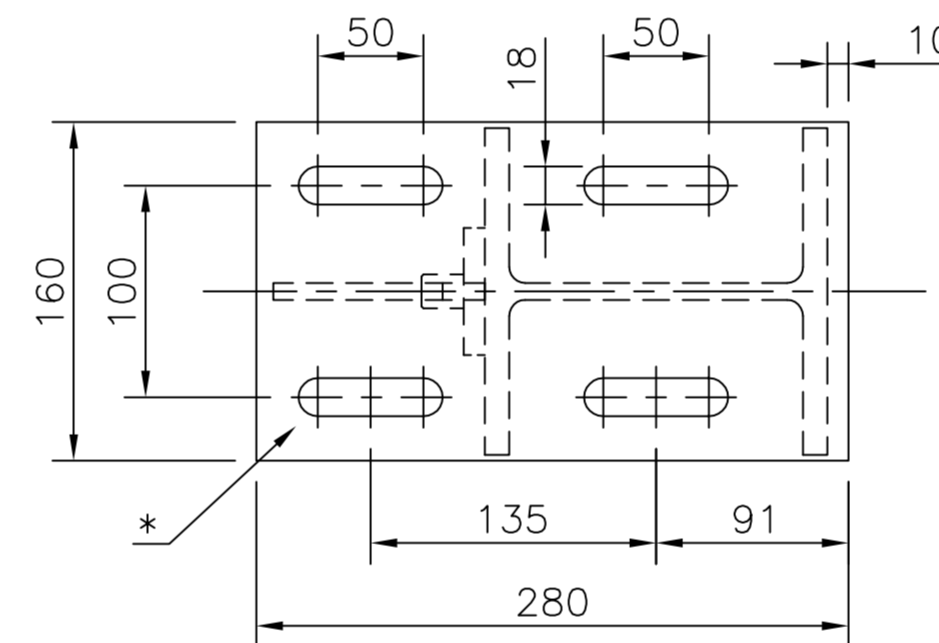
ELECTROLYSER FRAME
PART NO. 0201.18 (ISMC 150)
REFER DWG.
0215-EQS-11-TB-0002
(3 SHEETS)



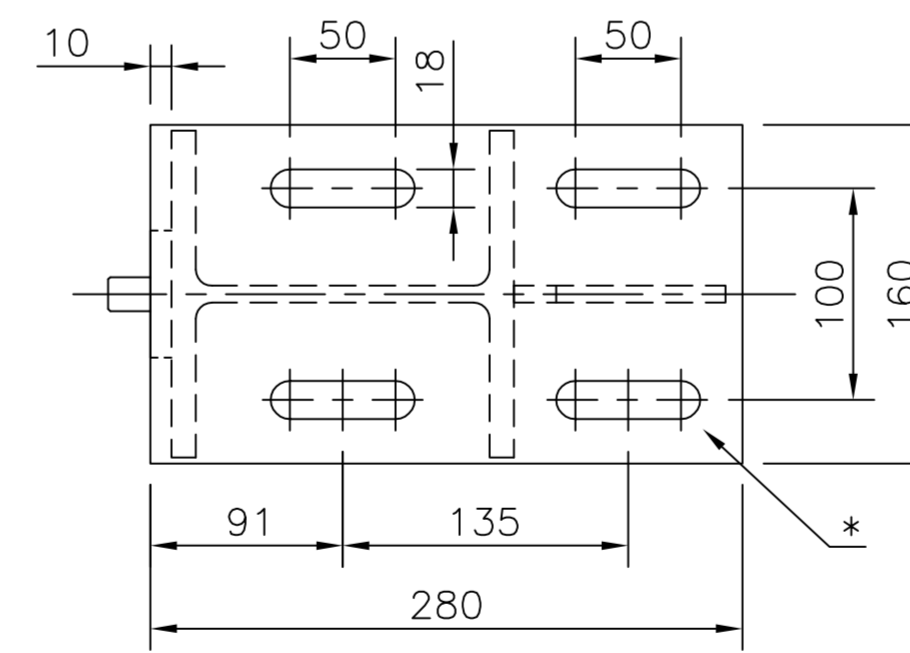
PART NO. 0218



DETAIL 'X'
SCALE 1:2.5

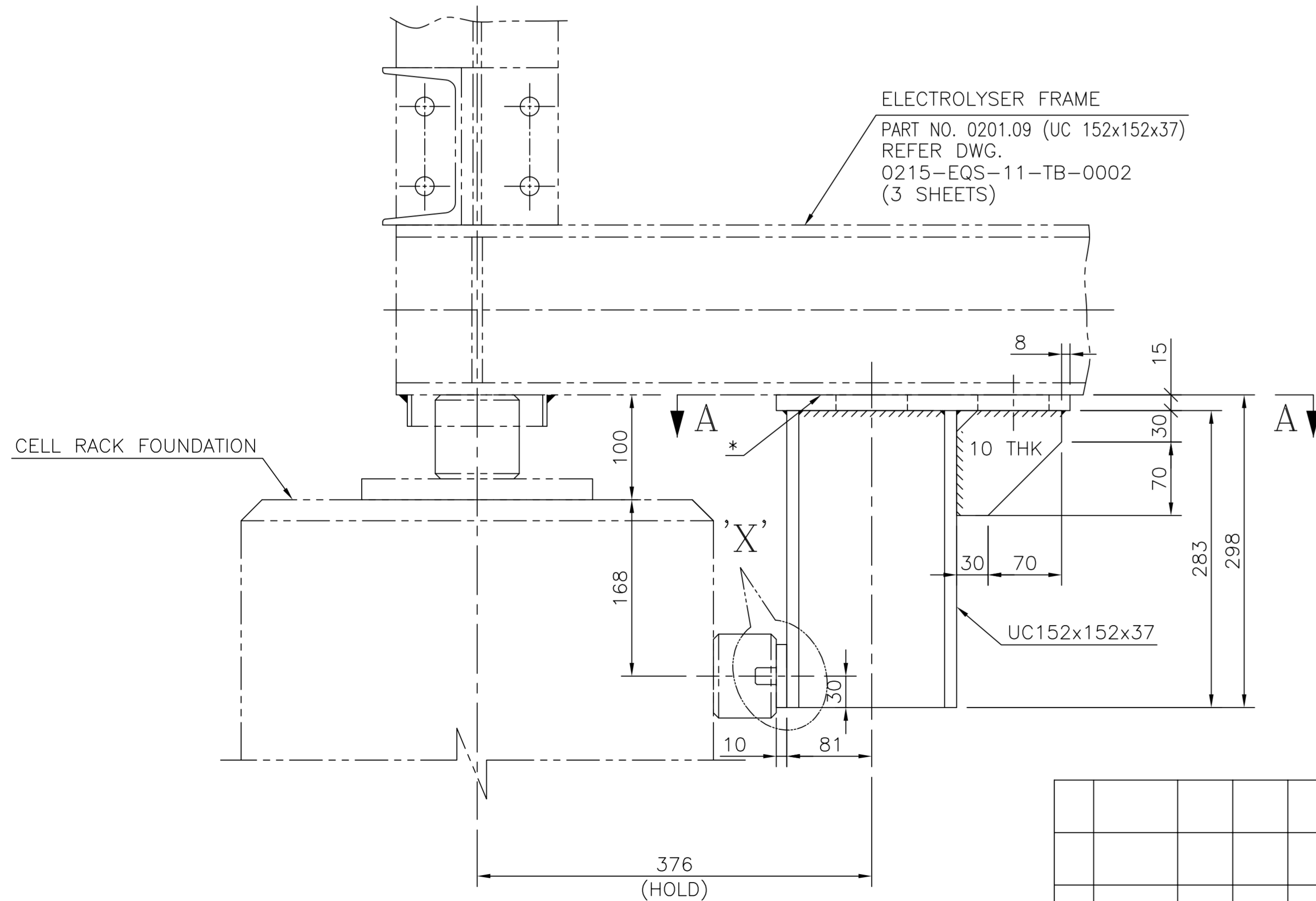


SECTION B-B



SECTION A-A

ELECTROLYSER FRAME
PART NO. 0201.09 (UC 152x152x37)
REFER DWG.
0215-EQS-11-TB-0002
(3 SHEETS)



PART NO. 0219

NOTES:-

- ALL DIMENSIONS ARE IN mm. UNLESS OTHERWISE SPECIFIED.
- GENERAL TOLERANCES ACC. TO DIN 8570-B.
- PAINTING ACC. TO SPECIFICATION
* CONTACT SURFACE SHALL NOT BE PAINTED.
- FOR BETTER CLARITY OF ASSEMBLY & BILL OF MATERIALS.
REFER DRAWING NO. 0215-EQS-11-TB-0001 (2 OF 2 SHEETS).

PART NO.	DESCRIPTION	QTY.	MATERIAL	DIMENSIONS / STANDARD	WEIGHT (Kgs.)
0219	EARTHQUAKE SAFETY DEVICE	1	ST 37-2	DIN 1025	16.53
0218	EARTHQUAKE SAFETY DEVICE	1	ST 37-2	DIN 1025	22.52
TOTAL WEIGHT					: ~39.05 Kgs.

CONFIDENTIAL

The information in this document is strictly private, confidential and should not be copied, distributed or reproduced in whole or in part, nor passed to any third party without the prior approval of tkIS-India.

tkIS India / Owner/Client		tkIS India / Owner/Client	
<input type="checkbox"/> 1 For Approval	<input type="checkbox"/> 1 Approved	<input type="checkbox"/> 3 For Information	<input type="checkbox"/> 3 Not Approved/Resubmit
<input type="checkbox"/> 2 For Review / Comments	<input type="checkbox"/> 2 Approved for Manufacturing/ Fabrication With Comments as Marked	<input type="checkbox"/> 4 For Engineering	<input type="checkbox"/> 4 Retained for Information/Records
<input type="checkbox"/> 3 For Information	<input type="checkbox"/> 3 Not Approved/Resubmit	<input checked="" type="checkbox"/> 5 For Enquiry	<input type="checkbox"/> 5 Reviewed
<input type="checkbox"/> 4 For Engineering	<input type="checkbox"/> 4 Retained for Information/Records	<input type="checkbox"/> 6 For Order Placement	<input type="checkbox"/> 6 Reviewed as Noted/Resubmit
<input type="checkbox"/> 5 For Enquiry	<input type="checkbox"/> 5 Reviewed	<input type="checkbox"/> 7 Final & Approved	
<input type="checkbox"/> 6 For Order Placement	<input type="checkbox"/> 6 Reviewed as Noted/Resubmit	<input type="checkbox"/> 8 Released for Construction	

Date : _ / _ / _ Name : _____

Contract No. 66-0215-700	Document ID 0215-EQS-11-TB-0017	Part 000	Rev. 00
------------------------------------	------------------------------------	-------------	------------

Store Location: Server/Share \\p660215-Ada	BAR-Code
Store Location: Folder \\660215-Ada\Acad\Lasel\Drg\Mechanical\Cell Rack	
Store Name 0218, 0219.dwg	

Pro. Unit 11	Con. Unit -	TON 11A01AN-FNZ01	Group -	Order No. -	Type of Document TB	Sheet 1 / 1
-----------------	----------------	----------------------	------------	----------------	------------------------	----------------

pacl PUNJAB ALKALIES & CHEMICAL LIMITED
NAYA NANGAL

thyssenkrupp

PROJECT: 300 TPD CONVERSION PROJECT			© thyssenkrupp Industrial Solutions (India) Private Limited 2018		
Drawn	Date	Name	Description		
Prepared	30.10.2018	SRT	0218, 0219		
Checked	30.10.2018	ADV f	DETAIL OF EARTHQUAKE SAFETY DEVICE		
Approved	05.11.2018	GBP			
Approved	06.11.2018	GBP			

Rev.	Date	Name	Date	Name	Date	Name	Description
00	30.10.18	SRT	05.11.18	GBP	06.11.18	GBP	ISSUED FOR ENQUIRY
		Drawn/Prepared		Checked		Approved	

Scale	Cat. Code	Acc. Code	Status
-	5	-	-

ISO A2