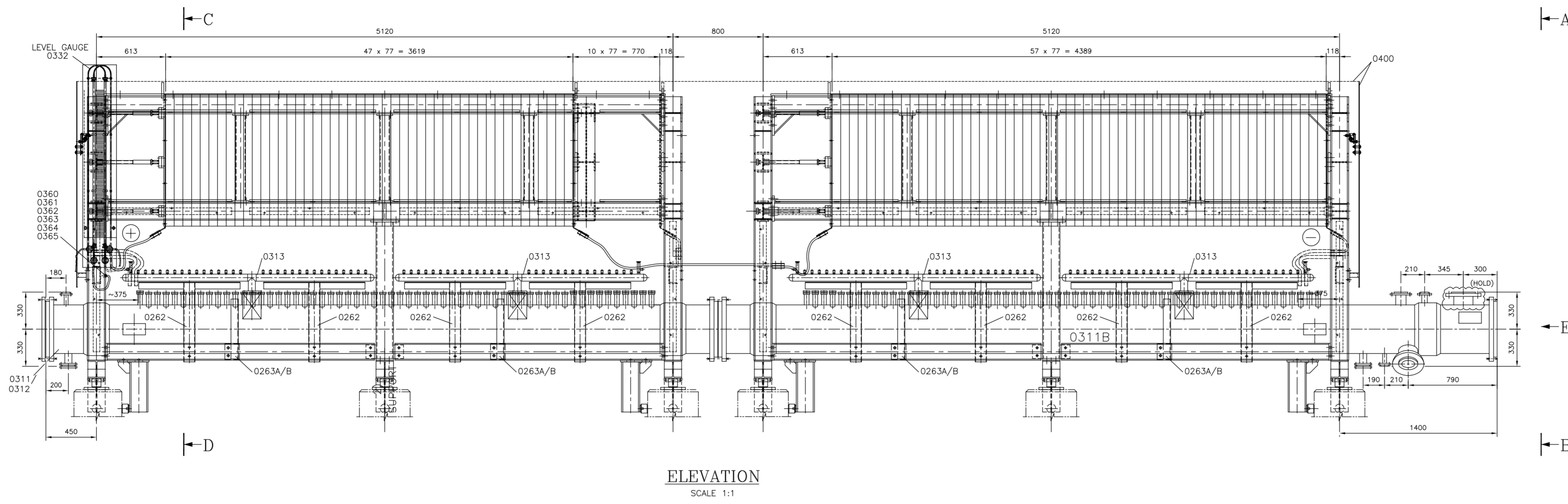


CELL RACK - 1

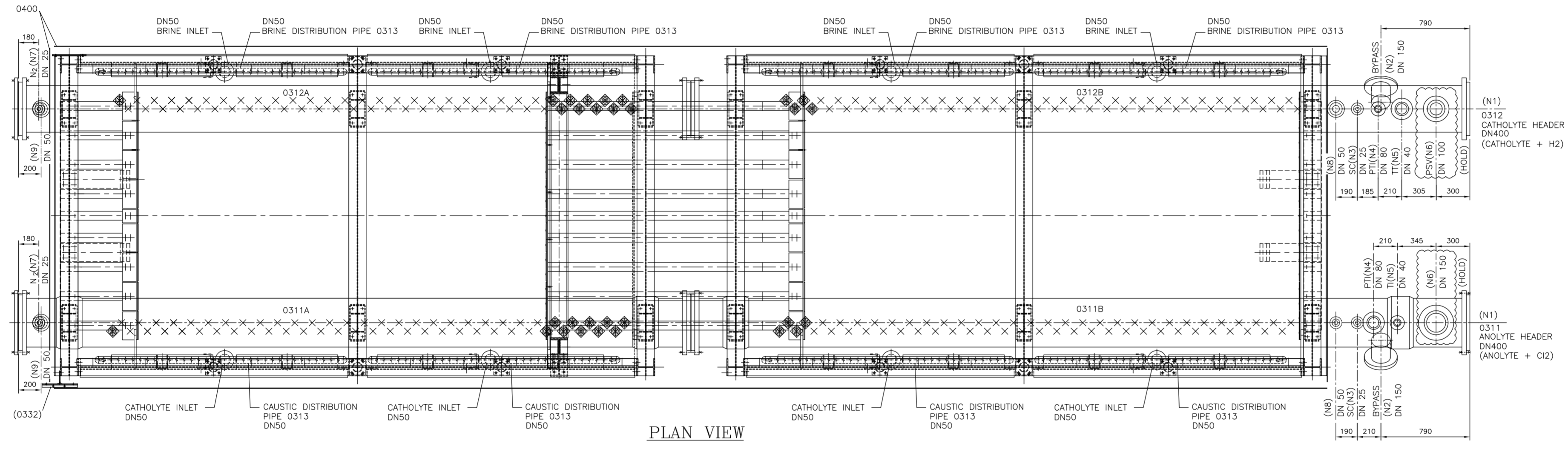
CELL RACK - 2



ELEVATION
SCALE 1:1

• TEMPORARILY
• LEVEL GAUGE QUANTITY - 1NO. FOR PER ELECTROLYSER (FIXED).

QTY.	DESCRIPTION	PART NO.	MATERIAL / STD.	DRG. NO./SPEC. NO.	EXISTING WEIGHT (Kgs.)
4	HEXAGONAL NUT M4	0365	SS	ISO 4032	
4	WASHER 4.3	0364	SS	ISO 7089	
1	SLOTTED COUNTERSINK SCREW M4 x 25 Lg.	0363	SS	ISO 2009	
1	HOSE # 6/8 ; 4m Lg.	0362	PTE TRANSLUCENT		0.2
4	CLAMP FOR Do=18.7	0361	PP		
1	PIPE Do=18.7 ~2000 mm Lg.	0360	PVC	DIN 49017	
208	INSULATION HOSE	0353	PTFE	TPP-Nr.0353-000-000	0.6
208	INSULATION DISC	0352	PP	TPP-Nr.0352-000-002	0.4
208	RUBBER PLUG	0351	SOFT RUBBER	TPP-Nr.0351-K00-000	(0.20)
208	BLIND FLANGE	0350	PP	TPP-Nr.0350-K00-000	(20.8)
1	PERSONAL PROTECTION	0400	-	0215-EQS-11-TB-0000	-
1	LEVEL GAUGE FOR ELECTROLYSER	0332	-	0215-NG-00-EC-0024	-
120	INSERT PIPE	0319	PTFE	TPP-Nr.0319-000-003	4.8
8	CAUSTIC/BRINE INLET DISTRIBUTION PIPE	0313	PP-R	0215-EQS-11-TB-0023	108
1	CATHOLYTE HEADER	0312	FRP/PP-R	0215-EQS-11-TB-0021	~720
1	ANOLYTE HEADER	0311	FRP-HT	0215-EQS-11-TB-0022	~500
832	HEXAGONAL BOLT M10 x 40 Lg.	0308	ASTM A193 GR.B8M	0215-EQS-11-EC-0035	31.9
832	HEXAGONAL BOLT M10 x 50 Lg.	0307	ASTM A193 GR.B8M	0215-EQS-11-EC-0035	36
1664	HEXAGONAL NUT M10	0306	ASTM A194 GR.B8M	0215-EQS-11-EC-0035	9.4
832	CABLE FIXING STRIP	0305	POLYAMIDE, 6.6	TPP-Nr.0305-K00-000	1.02
208	OUTLET HOSE	0303	PTFE CONVOLUTED TRANSLUCENT/1.4531	TPP-Nr.0303-000-001	249.6
208	TRI-CLAMP CONNECTION	0302	1.4435	TPP-Nr.0302-000-005	26.3
208	CAUSTIC / BRINE INLET HOSE	0301	PTE TRANSLUCENT	TPP-Nr.0301-000-004	20.8
2	CELL RACK & CURRENT SUPPLY	0200	-	0215-EQS-11-TB-0001	10050
104	CELL ELEMENT	0100	-	-	22630
TOTAL EMPTY WEIGHT WITH 104 CELLS INSTALLED					~34500 Kgs.
TOTAL WEIGHT OF 104 CELLS FILLED WITH LIQUID					~65200 Kgs.
TOTAL WEIGHT WHEN ALL 120 CELLS INSTALLED					~37900 Kgs.
TOTAL WEIGHT WHEN ALL 120 CELLS FILLED WITH LIQUID					~78000 Kgs.
THIS INCLUDES HALF FILLING OF ANOLYTE & CATHOLYTE HEADERS (FOR FOUNDATION DESIGN)					



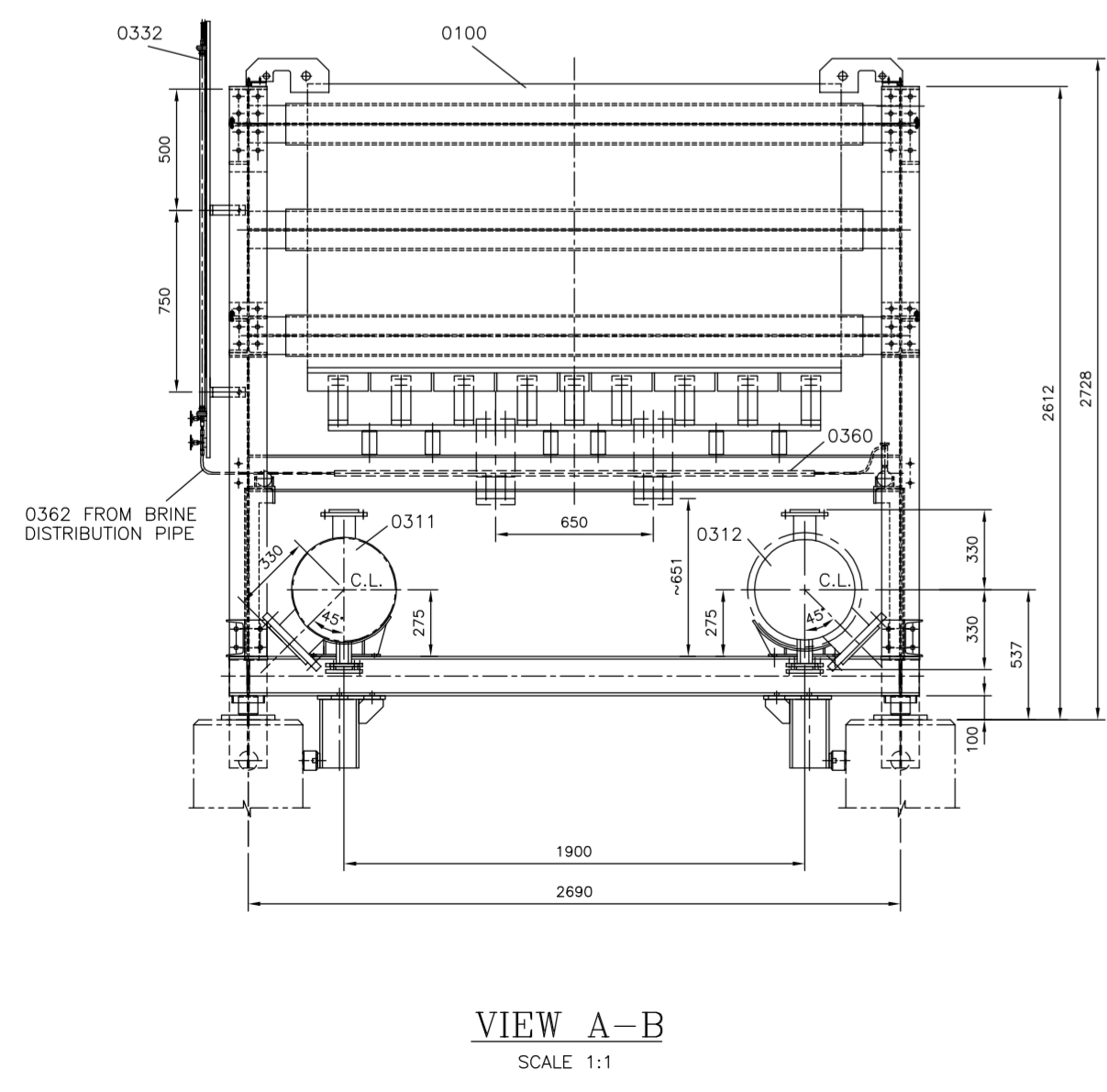
PLAN VIEW

QUANTITIES GIVEN FOR ONE ELECTROLYSER
TOTAL NO. OF ELECTROLYSERS = 6 Nos.

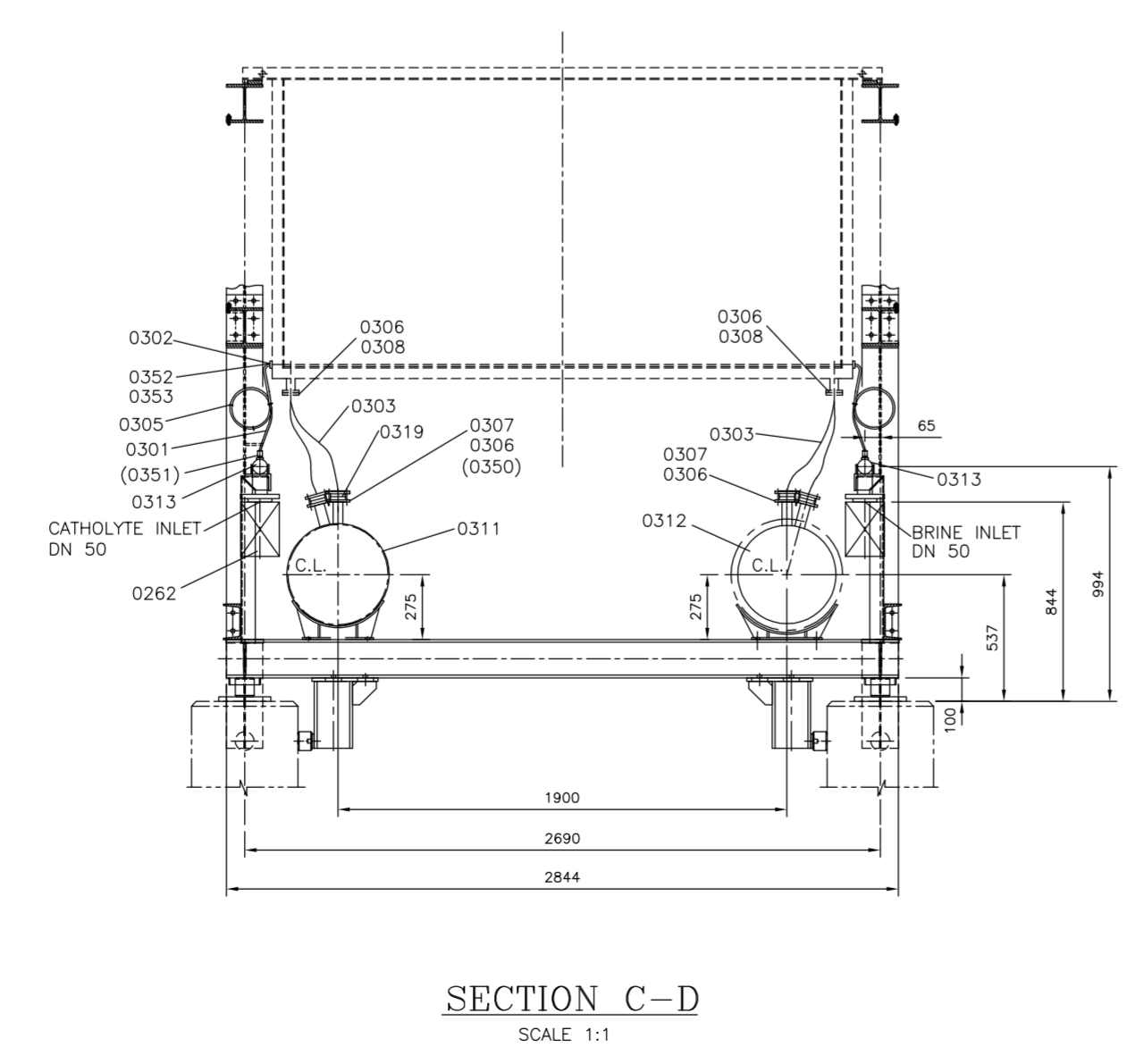
- NOTES:-
- GENERAL TOLERANCE ACCORDING TO ISO DIN 2768(M) PART 1.
 - ALL DIMENSIONS ARE IN mm, UNLESS OTHERWISE SPECIFIED.
 - FLANGES DRILLED ACC. ASME B16.5, #150.

CONFIDENTIAL
The information in this document is strictly private, confidential and should not be copied, distributed or reproduced in whole or in part, nor passed to any third party without the prior approval of KIS-India.

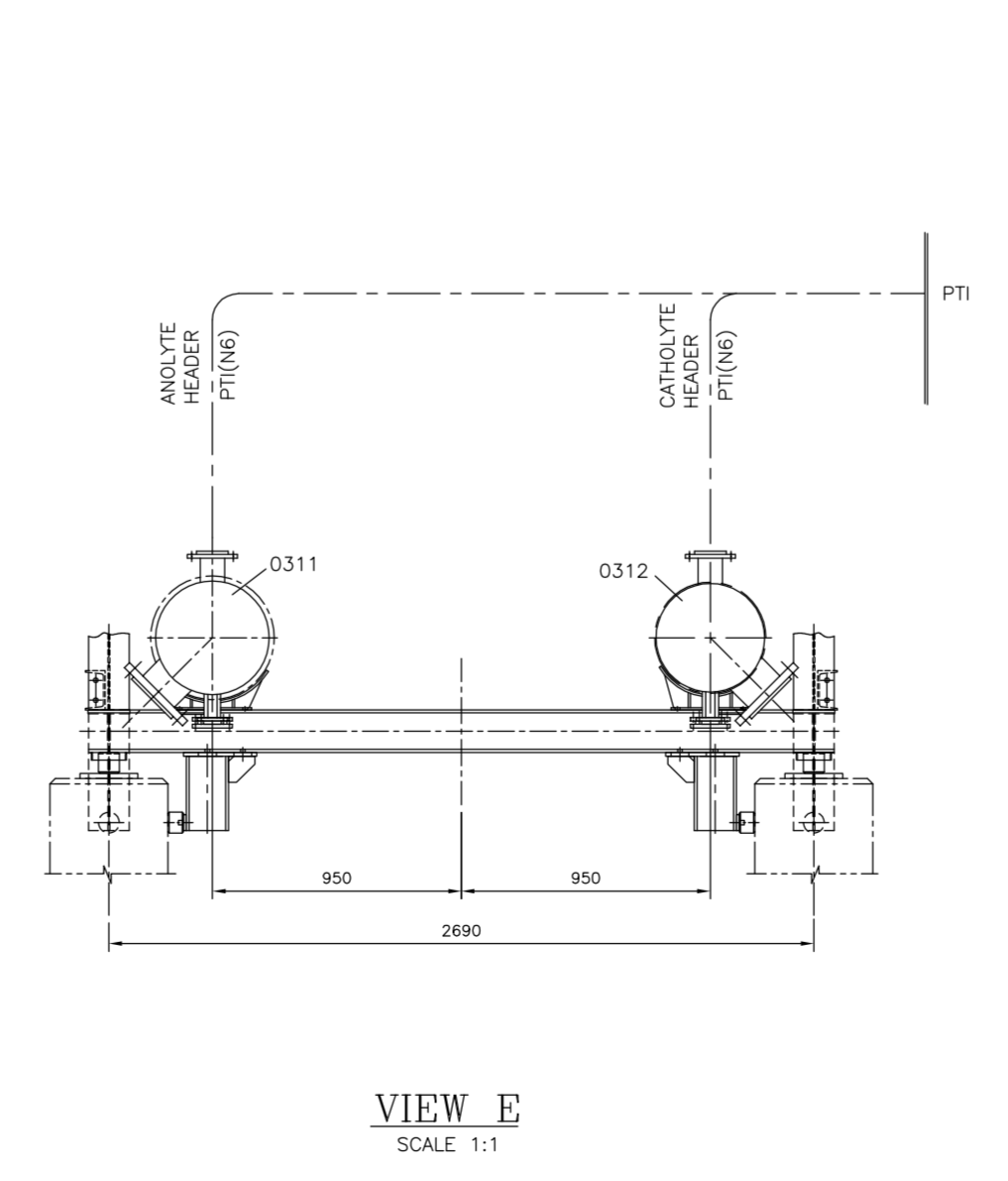
<input type="checkbox"/> 1 For Approval <input type="checkbox"/> 2 For Review / Comments <input type="checkbox"/> 3 For Information <input type="checkbox"/> 4 For Engineering <input type="checkbox"/> 5 For Enquiry <input type="checkbox"/> 6 For Order Placement <input type="checkbox"/> 7 Final & Approved <input type="checkbox"/> 8 Released for Construction		<input type="checkbox"/> 1 Approved <input type="checkbox"/> 2 Approved for Manufacturing/ Fabrication With Comments as Marked <input type="checkbox"/> 3 Not Approved/Resubmit <input type="checkbox"/> 4 Retained for Information/Records <input type="checkbox"/> 5 Reviewed <input type="checkbox"/> 6 Reviewed as Noted/Resubmit	
Contract No.	66-0215-700	Document ID	0215-EQS-11-TB-0051
Store Location	Server/Share	BAR-Code	
Store Location Folder	\\660215-Add\Asst\and\Eng\Mechanical\Cell Rack		
Store Name	0300.dwg		
Prn. Unit	11	Con. Unit	11A01AN-FNZ01
Order No.		Type of Document	TB
Sheet	1	Total	1



VIEW A-B
SCALE 1:1



SECTION C-D
SCALE 1:1



VIEW E
SCALE 1:1

Rev.	Date	Name	Drawn/Prepared	Date	Name	Checked	Date	Name	Approved	Description
00	09.11.18	SRT	ADV	13.11.18	GBP	14.11.18	GBP			ISSUED FOR ENGINEERING

pacl PUNJAB ALKALIES & CHEMICAL LIMITED
NAYA NANGLAL

thyssenkrupp

PROJECT: 300 TPD CONVERSION PROJECT

Date: 09.11.2018 Name: SRT Description: 0300
 Prepared: 09.11.2018 ADV
 Checked: 13.11.2018 GBP
 Approved: 14.11.2018 GBP

CELL PIPING ASSEMBLY

Acc. Code	Scale	Cat. Code	Acc. Code	Status
	4			